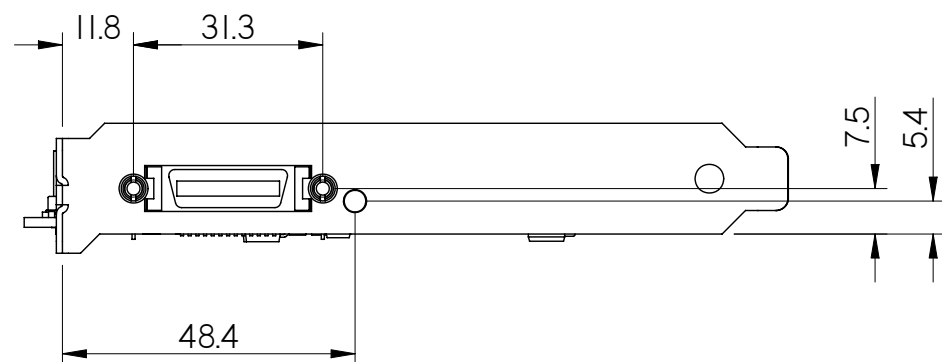
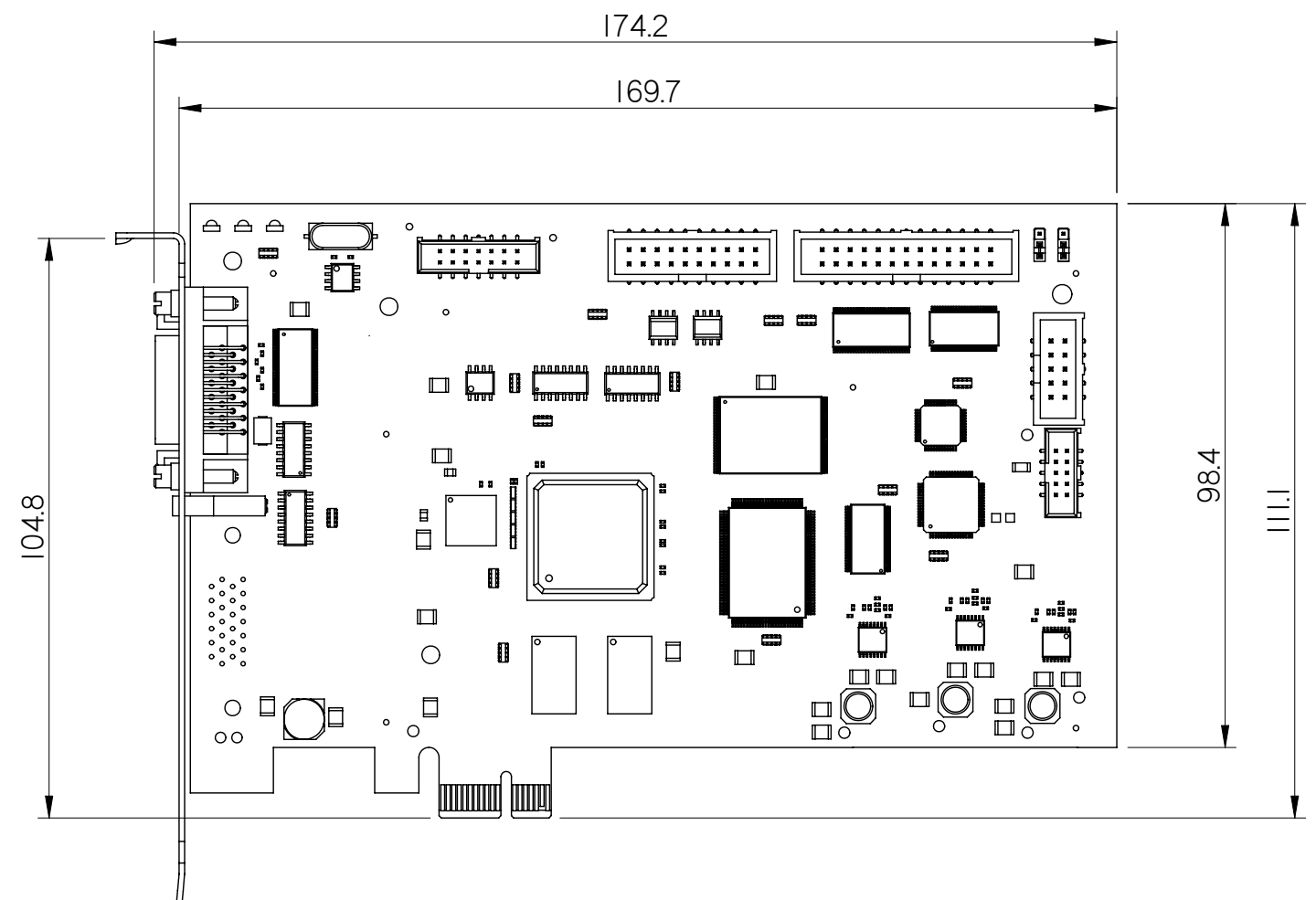
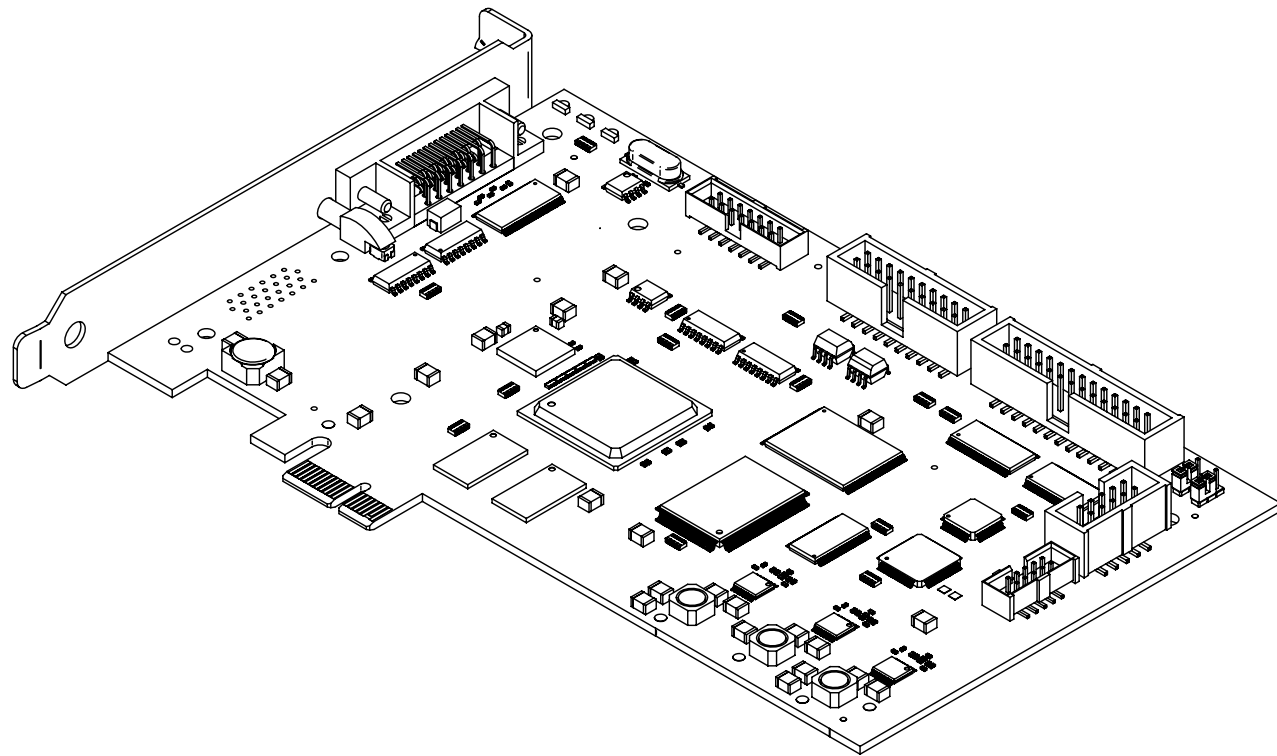
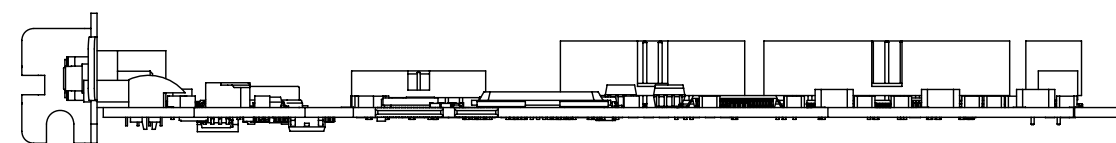


3RD ANGLE PROJECTION  
DO NOT SCALE



MAX COMPONENT HEIGHT ON THIS SIDE - 14.49mm



MAX COMPONENT HEIGHT ON THIS SIDE - 2.67mm

NOT TO SCALE

All Dimensions in mm's and for reference only



© 2011 Active Silicon Limited  
This information should not be supplied to a third party without prior consent, in writing, from Active Silicon.

TITLE  
**Mechanical Overview  
Phoenix D24CL-PE1**

DRAWN Keith Baker	DATE 31-Aug-11	APPROVED PL ✓ PE ✓ TD ✓
----------------------	-------------------	----------------------------

DRAWING NUMBER MO-AP06C11-0035-0401	SHT No. -	A 3
--	--------------	--------